

Browse more than 1,300 woodworking project plans, DVDs, back-issue collections, videos, tool reviews, books, & more.

Thank You!

Thank you for ordering this *WOOD*® magazine download. We hope you enjoy being part of our online experience and that you have fun expanding your woodworking skills.

Please remember that this copyrighted material is for your use only. It is unlawful to share this file with someone else or to reprint it in any form.



Dave Campbell
Editorial Content Chief, *WOOD* magazine



Adobe Acrobat Reader Troubleshooting Guide

If you can read this page, your Acrobat Reader program is working correctly! But you may still have problems or specific issues, such as printing and saving your downloadable file.

My printer won't print the text correctly

Almost all printing problems are due to not enough free system resources memory. The files are very memory intensive because they include graphics, text, and photos. Close all other programs/applications and print directly out of the Acrobat Reader program, not your Web browser.

Patterns are not printing full-size

Make sure your printer is set to print at 100 percent, "print to fit" is not checked and "page scaling" is set to "none". These settings are selected in the printer setup or printer options.

I can't find my file now that it's downloaded

Rather than viewing the plan in your browser, you must save it to your hard drive. Download the file again, except this time try right-clicking on the red download button. A menu window will open. Select "Save target as" or "Save link as" to save the file to your hard drive. Once saved, you can open it up with Adobe Acrobat Reader.

For more details on using Adobe Acrobat Reader please visit our online help section at:

woodmagazine.com/adobe

WOOD Store

Customer Favorites

Shop Tools & Accessories



Indoor Furniture



Outdoor Furniture



Mission Furniture



Visit the WOOD Store at:

WOODStore.net

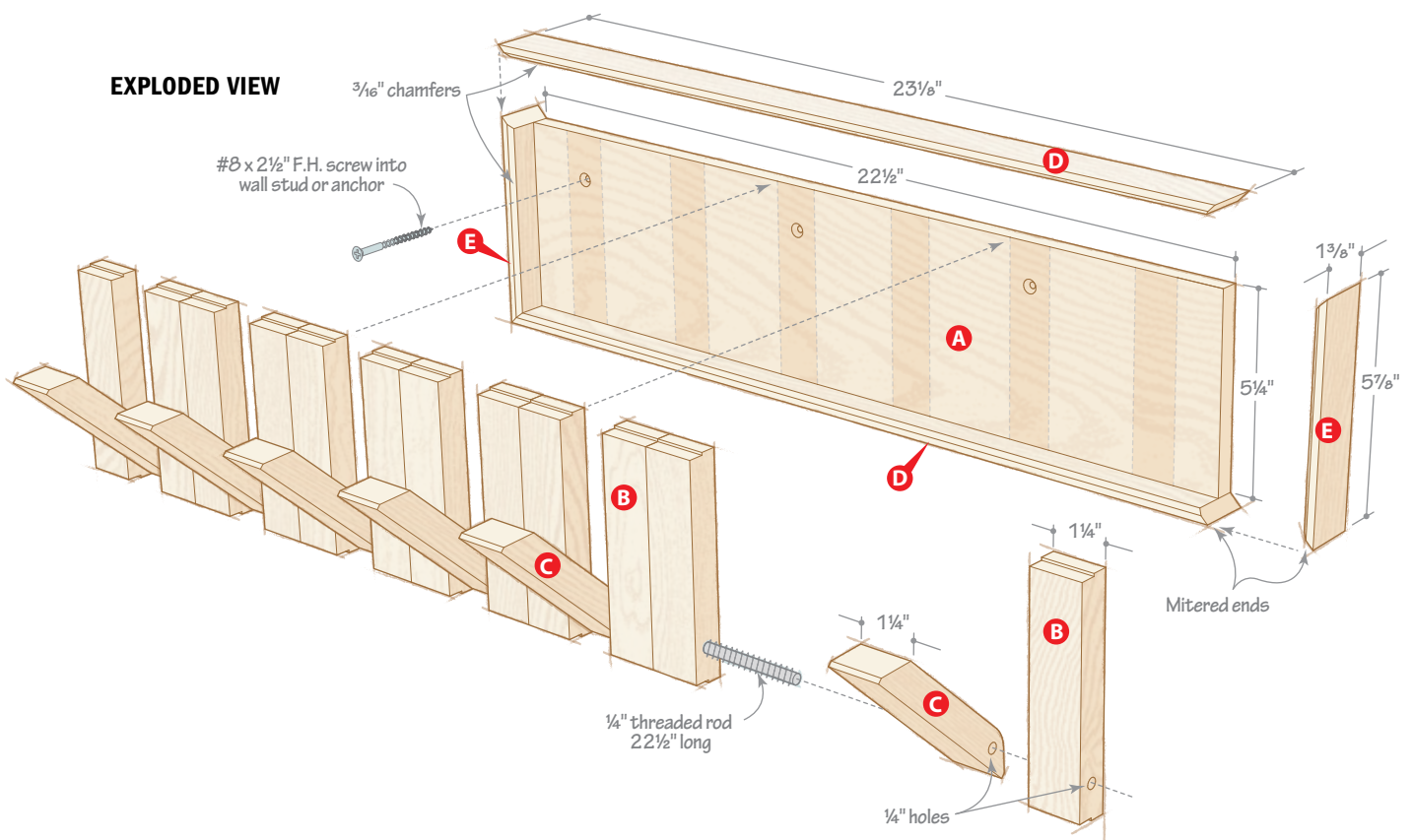
Hidden-Hook Coat Rack



D I M E N S I O N S :
5 7/8" H x 23 1/4" W x 1 3/8" D (Hooks up)

6
hooks per rack,
as built





In just a weekend, you can whip up enough of these to organize every entry and closet in the house. Simply press the bottom end of a hook to drop it down.

► Need to hang up lots of stuff? Make a rack as long as you like by simply adding more hooks and spacers.

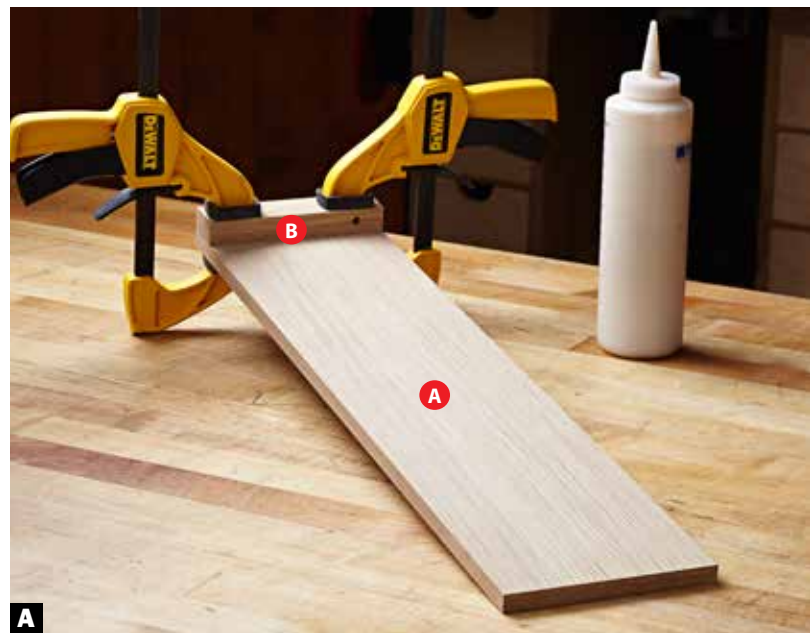
Tip! We used quartersawn stock to minimize wood movement that might cause the hooks to bind.

Just five simple parts

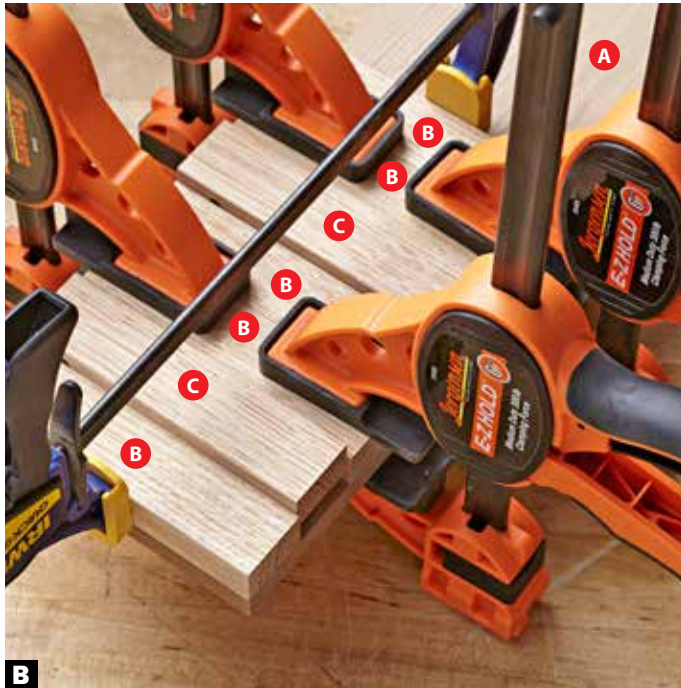
1 Cut the back (A) 1/2" longer than listed, and the spacers (B) and hooks (C) to finished size [Materials List]. Set up a stopblock on your drill-press fence and, with the back face of each against the fence, drill holes through the spacers [Drawing 1]. Reposition the stopblock and drill through the hooks.

2 Relieve the sharp edges of the spacers by sanding them lightly. (You'll chamfer the hooks later.) Glue five pairs of spacers (B) together edge to edge. While those assemblies dry, glue a single spacer to the back (A) [Photo A].

3 Glue the pairs of spacers and the remaining single spacer to the back using hooks to position them [Photo B]. Remove the hooks after all the spacers are in place, and cut and sand the hooks to shape [Drawing 1].



A Glue a spacer (B) flush with the end and edges of the back (A). Make sure it sits square to the edges.



B Clamp the spacers (B) snug to the hooks (C) before clamping the spacers to the back (A). Elevate the hooks so they don't accidentally get glued in place.



C A rabbet along the ends of the spacers mimics the gap above and below the hooks so they all blend together.

4 After the glue dries, trim the back (A) to bring the last spacer flush with the end. Rabbet both ends of the spacers (B) [Drawing 1, Photo C]. Sand or plane the hooks (C) so they slide smoothly between the spacers, with just a touch of friction. Relieve the edges as you did with the spacers.

5 To accept the screws that secure the rack to the wall, drill countersunk holes between spacers [Exploded View]. Apply a finish to the hooks and the edges of the spacers. (We wiped on several coats of Danish oil.)

6 Cut a threaded rod to length [Exploded View]. Then, install the hooks, pinning them with the rod.

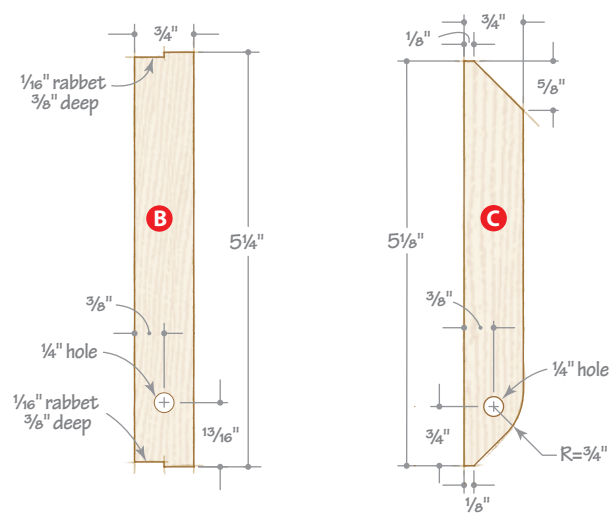
7 Miter-cut the trim (D, E) to fit around the back assembly. Chamfer the front edges of the trim [Exploded View] and glue the trim in place.

8 Apply a finish to all pieces. Secure the back to the wall, screwing into studs or using appropriate wall anchors. 🌳

► The hooks pivot easier on a threaded rod than on a dowel or smooth rod.

► Each rack requires approximately 1.5 board feet of 4/4 quartersawn oak.

1 SPACER AND HOOK



Materials List

Part	FINISHED SIZE			Matl.	Qty.
	T	W	L		
A* back	1/2"	5 1/4"	22 1/2"	OP	1
B spacers	3/4"	1 1/4"	5 1/4"	O	12
C hooks	3/4"	1 1/4"	5 1/8"	O	6
D top/bottom trim	5/16"	1 3/8"	23 1/8"	O	2
E side trim	5/16"	1 3/8"	5 7/8"	O	2

*Parts initially cut oversize. See the instructions.

Materials key: OP-oak plywood, O-quartersawn oak.

Supplies: 1/4x24" threaded rod, #8x2 1/2" flathead screws, hollow wall anchor.

Visit the **WOOD**[®] family of helpful Web sites!

WOODStore.net

Browse more than 1,300 woodworking project plans, DVDs, back-issue collections, videos, tool reviews, books, & more.



Plans



"Complete Guide" DVD-ROM's



Videos



Back-Issue Collections

WOODmagazine.com/videos

DVDs or downloads



The biggest names in woodworking help you build your skills with affordable videos (up to 2 hours long). Save money by doing the download.

FREE magazine support 24/7



WOOD magazine editors provide videos that enhance the content in the magazine. New videos added regularly.

By woodworkers, for woodworkers



Watch free videos of other woodworkers showing their stuff, from shop tips, to favorite jigs, to... well, just about anything!

Watch a demo before you buy



Don't spend a penny on a tool until you learn how it works. Tool School is like having a free woodworking show on your desktop!

WOODmagazine.com

A wealth of information just a click away.

WOODmagazine.com speaks to woodworkers of all skill levels with free woodworking plans, helpful forums, hundreds of articles, and more services to help you become a better woodworker.



toolreviews.woodmagazine.com

Everybody's a tool critic. Now it's your turn!

Readers rely on WOOD magazine for unbiased reviews of woodworking tools and accessories. You'll find them here, all in one place. While you're there, add reviews about the tools in your shop. Just click to compare specs, prices, and more.

